

Drawings Done By Marshall Furniture, Inc. for William Paterson University

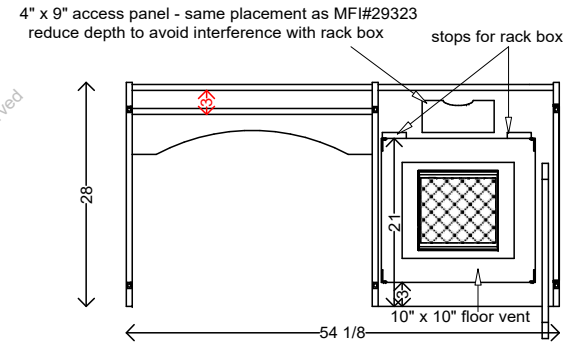
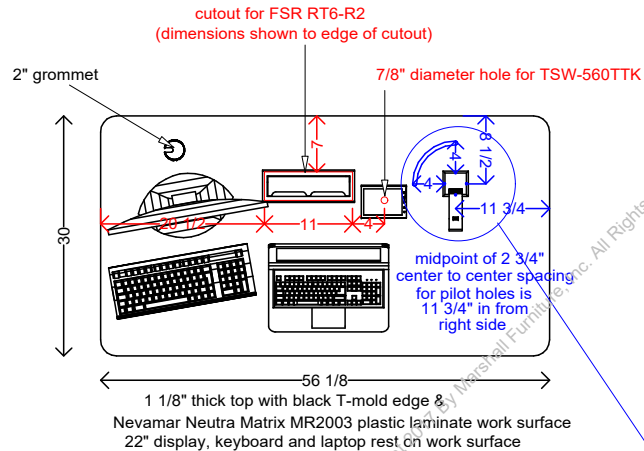
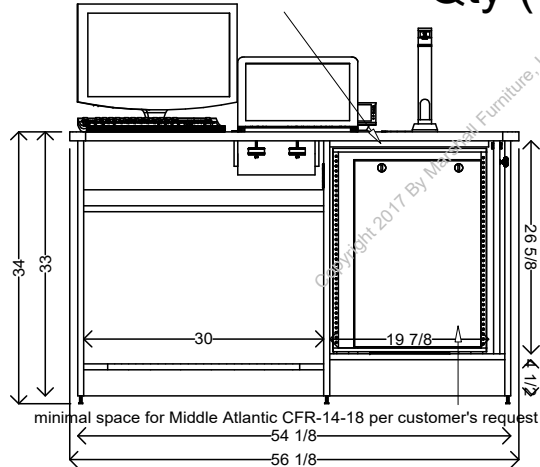
Project Name: Raubinger

Model: WPU-56 Right

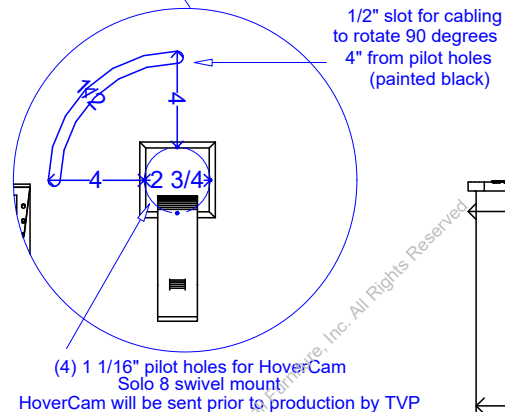
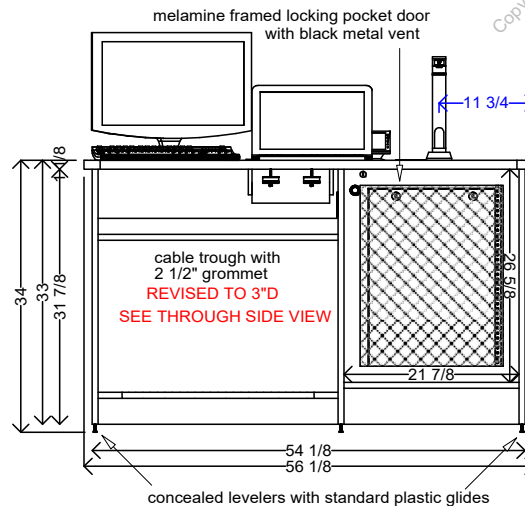
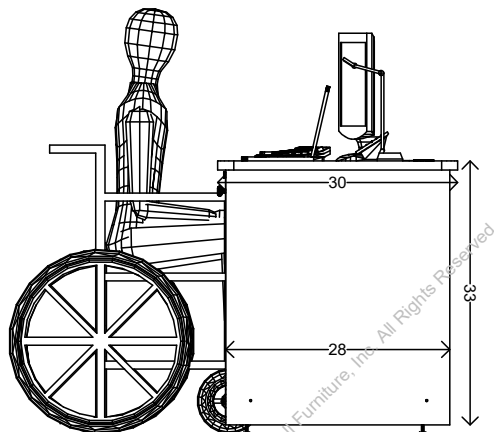
Pages: 1 of 2

3/4" removable blocker - per customer's request

Qty (17) Similar to MFI#31585AB - Oak Melamine



Through Plan View



Check appropriate box.

	Signature	Date
<input type="checkbox"/> Ok for production		
<input type="checkbox"/> Ok for production with changes marked, do not resubmit		
<input type="checkbox"/> Resubmit drawings with changes marked.		



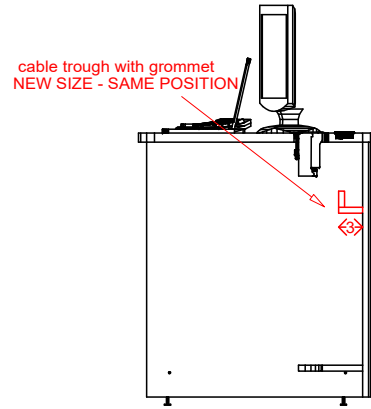
Drawings Done By Marshall Furniture, Inc. for William Paterson University

Project Name: Raubinger

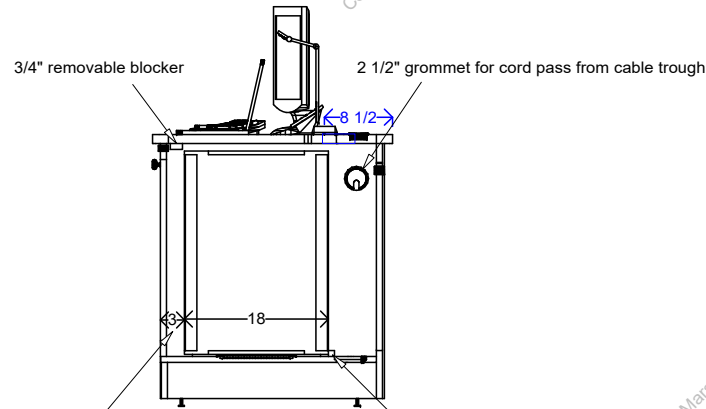
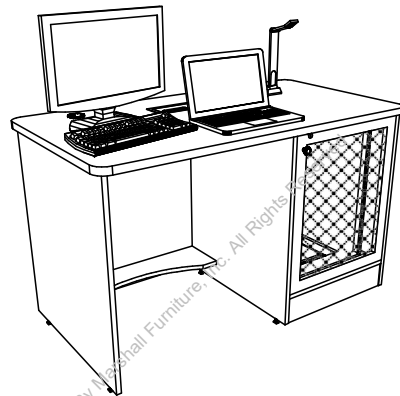
Model: WPU-56 Right

Pages: 2 of 2

Qty (17) Similar to MFI#31585AB - Oak Melamine

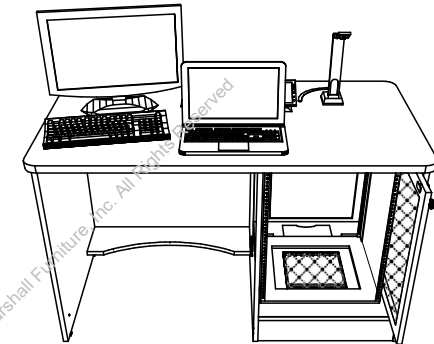


Through Side View



back stop for rack box - places front of box 3" back from front of cabinet

Partial Through Side View



Check appropriate box.

	Signature	Date
<input type="checkbox"/> Ok for production		
<input type="checkbox"/> Ok for production with changes marked, do not resubmit		
<input type="checkbox"/> Resubmit drawings with changes marked.		

